

NOTE: SEE PAGE S2 FOR CONSTRUCTION DETAILS



This document and all information contained herein are the property of Vanguard Building Systems. This document and all information contained herein may not be reproduced, used or disclosed in any manner or to any extent, (except by or to Vanguard Modular Building Systems) without the prior written authorization of Vanguard Modular Building Systems.

Vanguard Modular Building Systems  
 Corporate Office  
 3 Great Valley Parkway, Suite 170  
 Malvern, PA 19355  
 www.vanguardmodular.com



**ST ANDREW ROMANIAN  
 ORTHODOX CHURCH**  
 DECK & RAMP PLAN

Date: 11/10/15  
 Salesperson:  
 Scale: 3/8"=1'-0"  
 Building Number: DB16381  
 Engineering: Alvey Services  
 Sheet:

S1

**GENERAL NOTES:**

1. ALL WOOD WILL BE PRESSURE TREATED YELLOW PINE #2 OR BETTER (P.T. SYP #2).
2. NUMBER OF RISERS AND TREADS ARE CALCULATED AS PER JOB.
3. THE DECK, RAMP & STAIR SYSTEM MEETS OR EXCEEDS THE REQUIRED 100 PSF LOADING.
4. ALL WOOD CONNECTORS WILL BE GALVANIZED RING SHANKED NAILS, HOT-DIPPED ZINC COATED GALVANIZED NAILS, OR EQUAL SCREW.
5. STEPS SHALL BE A MAX. OF 7" (H), TREAD SHALL BE A MIN. OF 11" (W).
6. HANDRAILS SHALL BE PROVIDED ON BOTH SIDE OF THE STAIRS AND/OR RAMP.
7. HANDRAIL SYSTEM SHALL BE A MIN. OF 1 1/4" AND A MAX. 1 1/2" OUTSIDE DIAMETER OR SQUARE WOOD OR METAL PIPING OR AN ADA APPROVED EQUAL.
8. HANDRAILS SHALL SUPPORT A MIN. MOMENTARY CONCENTRATED LOAD, AS PER AMERICANS WITH DISABILITIES ACT (ADA) REQUIREMENTS AND STATE BUILDING CODES.
9. TOP OF HANDRAIL SHALL BE A MINIMUM OF 34" AND A MAX. OF 38" ABOVE STAIRS.
10. HANDRAILS INCLUDING RETURN SHALL EXTEND MIN. 18" BEYOND END OF RAMP OR LOCAL CODE.
11. BRACING FOR HANDRAIL SHALL BE APPROX. EVERY 6 FEET.
12. MINIMUM SOIL BEARING CAPACITY IS 3,000 PSF. TO BE VERIFIED BY BUILDING'S OWNER.
13. ALL JOIST SPICING SHALL OCCUR AT 4x4 POST (CENTER BUTT JOINT AT POST)
14. RAMP AND STAIR DETAILS TYPICAL AND FOR CONSTRUCTION REFERENCES ONLY.
15. ANY PORTION OF RAMP, DECK AND/OR STAIR THAT EXCEEDS 30" ABOVE GRADE SHALL HAVE AN ORNAMENTAL SPINDLE PATTERN SUCH THAT A 4" SPHERE CANNOT PASS THRU.
16. TIE-DOWN STRAPS TO BE 1-1/4" X .035 GALVANIZED STEEL FEDERAL SPECIFICATION QQS-781-H TYPE-1 FINISH-B GRADE-1. TIE-DOWN STRAPS AND CONNECTING HARDWARE TO HAVE 4,725# MINIMUM ULTIMATE CAPACITY (3,150# x 1.5).
17. ALL TIE DOWN ANCHORS SHALL HAVE MINIMUM 4,725 LB. CAPACITY AND SHALL BE INSTALLED IN ACCORDANCE WITH THEIR MANUFACTURER'S SPECIFICATIONS.

**FASTENING SCHEDULE:**

FASTEN ALL 2x4 LUMBER INTO 2x LUMBER w/(2) 12d GALV. COMMON NAILS OR EQUAL DECK/FENCE SCREW.

FASTEN ALL 2x4 LUMBER INTO 4x LUMBER w/(4) 12d GALV. COMMON NAILS OR EQUAL DECK/FENCE SCREW.

FASTEN ALL 2x6 LUMBER INTO 2x LUMBER w/(3) 12d GALV. COMMON NAILS OR EQUAL DECK/FENCE SCREW.

FASTEN ALL 2x6 LUMBER INTO 4x LUMBER w/(4) 16d GALV. COMMON NAILS OR EQUAL DECK/FENCE SCREW.

FASTEN ALL 2x8 LUMBER INTO 2x LUMBER w/(4) 12d GALV. COMMON NAILS OR EQUAL DECK/FENCE SCREW.

FASTEN ALL 2x8 LUMBER INTO 4x LUMBER w/(6) 16d GALV. COMMON NAILS OR EQUAL DECK/FENCE SCREW.

FASTEN TOP RAIL INTO FIRST SIDERAIL w/12d GALV. BOX NAILS @ 12" O.C. OR EQUAL DECK/FENCE SCREW.

(OPTIONAL)  
FASTEN ALL 2x2 LUMBER INTO 2x LUMBER w/(2) 8d GALV. COMMON NAILS OR EQUAL

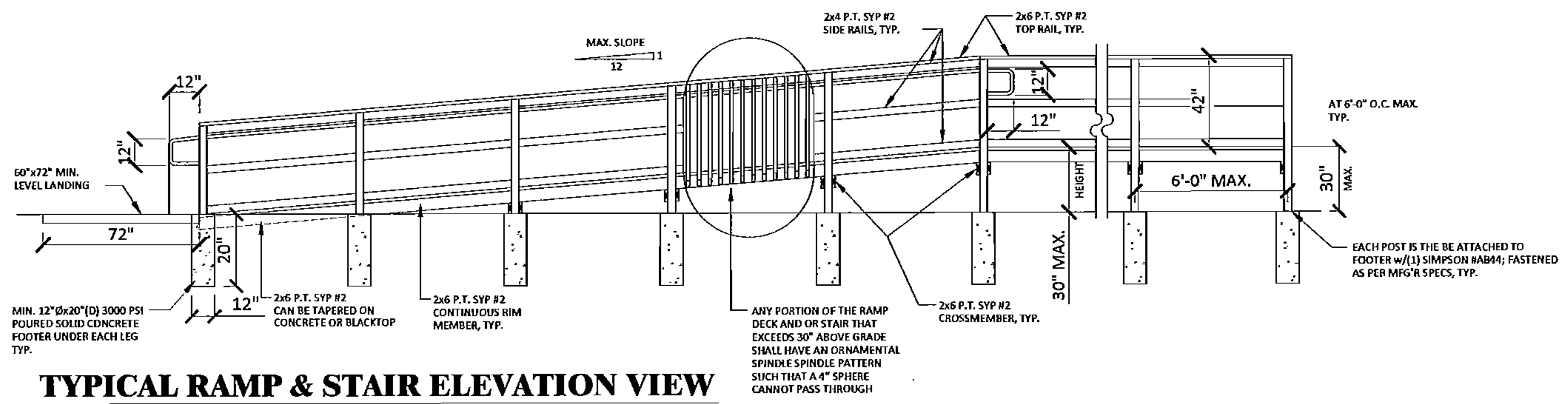
NOTE: ALL "SIMPSON" NAILS SHALL HAVE "ZMAX" (G185) GALV. COATING. ALL OTHER NAILS MIN: G90 GALV. COATING.

**STATE CODES:**

BUILDING: 2012 IBC  
ACCESSIBILITY: ICC A117.1-2009, 2012 IBC Chapter 11, 2012 IBC Appendix E

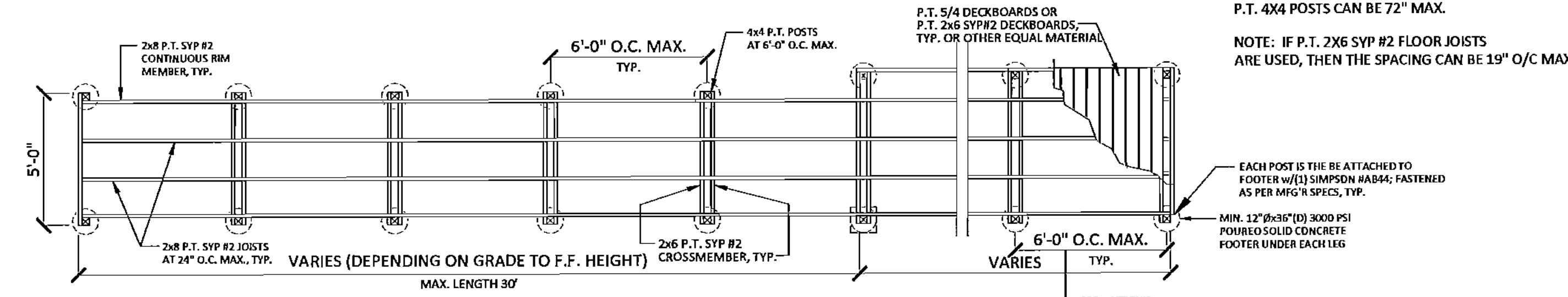
**STRUCTURAL LOAD LIMITATIONS:**

FLOOR LIVE LOAD:  
100 PSF  
2000 LBS (CONCENTRATED)



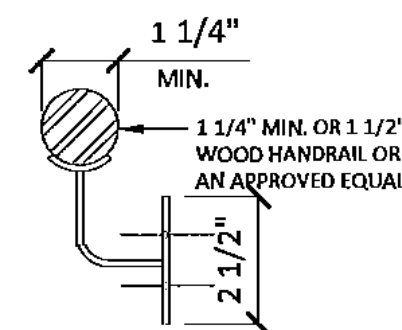
**TYPICAL RAMP & STAIR ELEVATION VIEW**

SCALE: N.T.S.



**TYPICAL RAMP FRAMING PLAN**

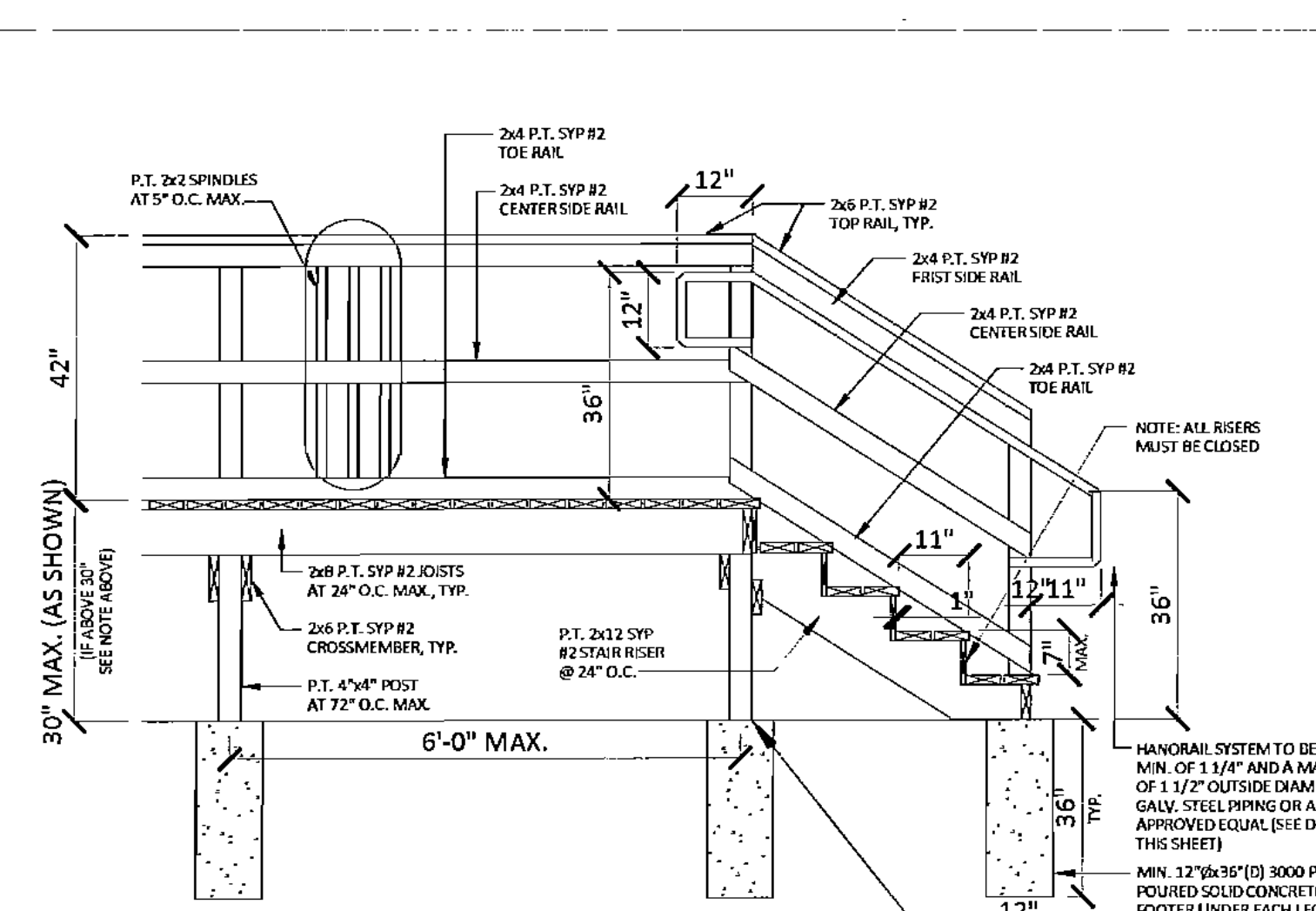
SCALE: N.T.S.



**HANDRAIL BRACE DETAIL**

SCALE: N.T.S.

NOTE: HANDRAIL AND HANDRAIL BRACING TO BE INSTALLED PER MANUFACTURER SPECIFICATIONS

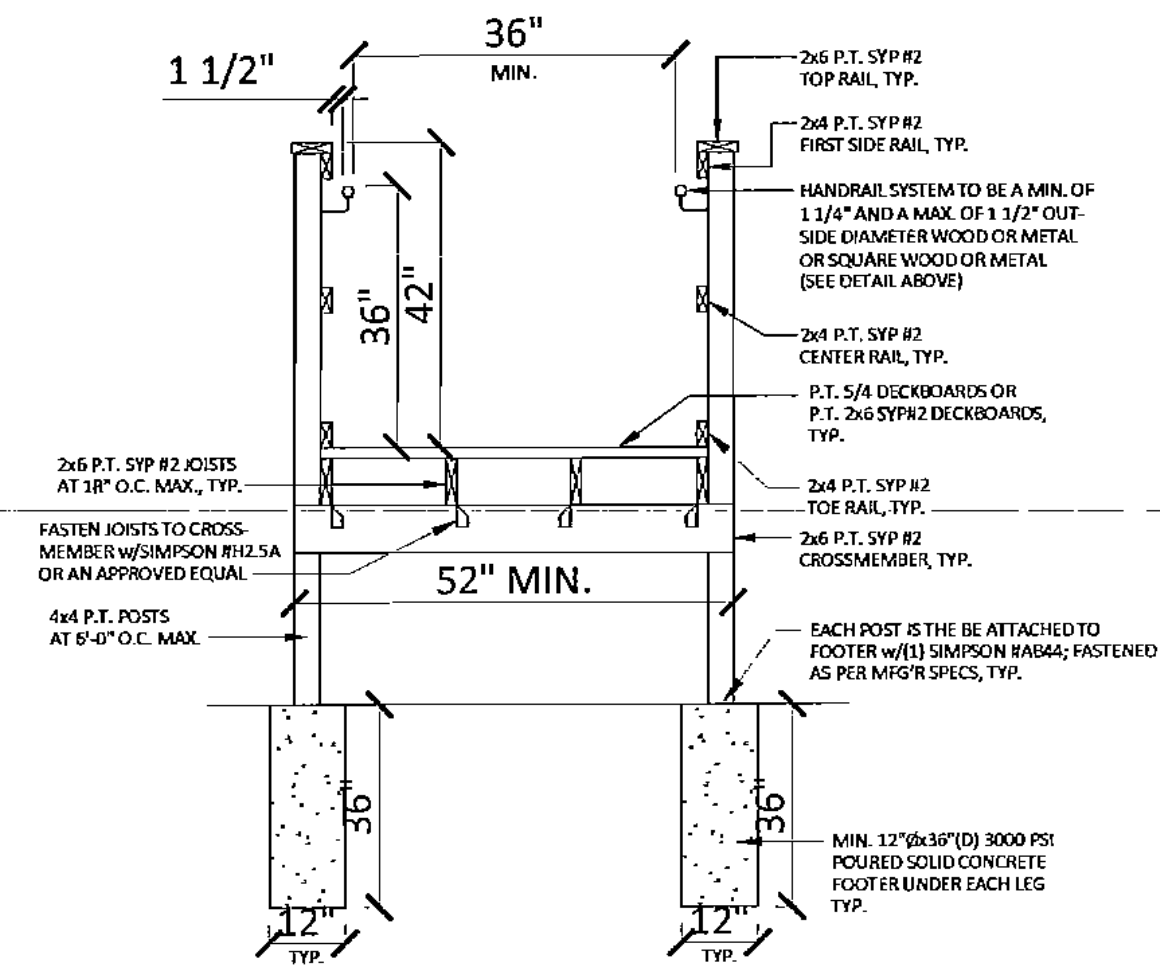


**TYPICAL STAIR FRAMING DETAIL**

SCALE: N.T.S.

NOTE: NUMBER OF ACTUAL STEPS MAY VARY DEPENDING ON HEIGHT FROM GRADE TO FINISHED FLOOR.

NOTE: ANY PORTION OF RAMP, DECK AND/OR STAIR THAT EXCEEDS 30" ABOVE GRADE SHALL HAVE AN ORNAMENTAL SPINDLE PATTERN SUCH THAT A 4" SPHERE CANNOT PASS THRU.



**RAMP SECTION DETAIL**

SCALE: N.T.S.

NOTE: RAMP AND/OR STAIR CONFIGURATION MAY VARY. REFER TO FINAL SITE PLAN FOR EXACT CONFIGURATION.

NOTE: RAMP SHALL NOT EXCEED A FINISH HEIGHT OF 30" ABOVE GRADE. IF RAMP HEIGHT EXCEEDS 30" ABOVE GRADE THEN A LANDING WILL BE REQUIRED DIVIDING THE RAMP SUCH THAT NO RAMP EXCEEDS 30'-0" IN LENGTH. LANDING SHALL BE A MIN. 60"x60".

This document and all information contained herein are the proprietary data and trade secrets of Vanguard Modular Building Systems. This document and the information contained herein may not be reproduced, used or disclosed in any manner or to any extent (except by or to Vanguard Modular Building Systems) without the prior written authorization of Vanguard Modular Building Systems.

Vanguard Modular Building Systems  
Corporate Office  
3 Great Valley Parkway, Suite 170  
P.O. Box 1025  
Plymouth, PA 15862  
877-438-8322  
www.vanguardmodular.com



**ST ANDREW ROMANIAN ORTHODOX CHURCH**  
DECK & RAMP DETAILS

Date: 11/10/15  
Salesperson  
Scale: 3/8"=1'-0"  
Building Number: DB16381  
Engineering: Alvey Services  
Sheet:

S2

